

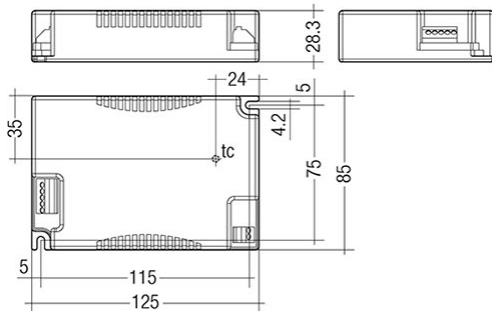
28000696

LC

Tridonic, LC 60W 900-1750mA flexC C EXC, LED Converter Compact EXCITE, Made In Austria, 5yrs Warranty



LINE DRAWING



[Click to view the full product details](#)

DATA SHEET

MARKETING INFORMATION

Brief Description 60W 900-1750mA flexC C EXC  
Constant Current LED Driver

PHYSICAL CHARACTERISTICS

Colour Finish White

MECHANICAL SPECIFICATION

Item Nett Weight (kg) 0.205kg  
Length (mm) 125mm  
Width (mm) 85mm  
Height (mm) 28.3mm

ENERGY SPECIFICATION

Energy Class A++ to A

ELECTRICAL & SAFETY SPECIFICATION

Protection Class Class 2 - Double Insulated  
Dimmable Yes - Suitable Dimmer Required  
Dimmer Included No  
IP Rating IP20

QUALITY STANDARDS

Average Life (hrs) 100000hrs  
Warranty (yrs) 5yrs

OVERVIEW

Constant current LED Driver, Adjustable output current using ready2mains Programmer or I-SELECT 2 plugs, High efficiency and working life time. Push connector for easy installation. Metal body for better heat dissipation.

Inspired Lighting Ltd. are continually developing and improving their products.  
Technical specifications subject to change without prior notice.