

28000706

LC

Tridonic, LC 25W 350/400/450/500/550/600/650/700/750/800/850/900/950/1000/1050mA flexC SC EXC, LED Converter Compact , Made In Austria, 5yrs Warranty



DATA SHEET

MARKETING INFORMATION

Brief Description 25W 350-1050mA flexC SC EXC Constant Current LED Driver

PHYSICAL CHARACTERISTICS

Colour Finish White

MECHANICAL SPECIFICATION

Item Nett Weight (kg) 0.093kg  
Length (mm) 97mm  
Width (mm) 43mm  
Height (mm) 30mm

ENERGY SPECIFICATION

Energy Class A++ to A

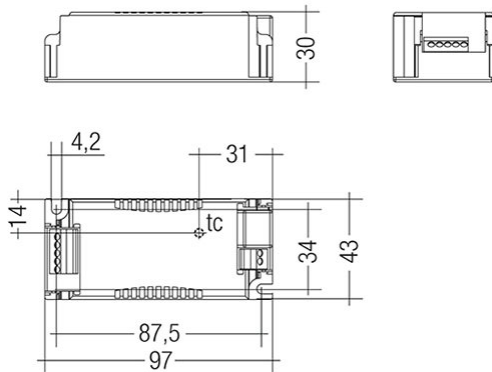
ELECTRICAL & SAFETY SPECIFICATION

Protection Class Class 2 - Double Insulated  
Dimmable Yes - Suitable Dimmer Required  
Dimmer Included No  
IP Rating IP20

QUALITY STANDARDS

Average Life (hrs) 100000hrs  
Warranty (yrs) 5yrs

LINE DRAWING



[Click to view the full product details](#)

OVERVIEW

Constant current LED Driver, Adjustable output current via ready2mains Programmer or I-SELECT 2 plugs, Up to 88 % efficiency, Life-time up to 100000 hrs.Push fit connector easy installtion.

Inspired Lighting Ltd. are continually developing and improving their products. Technical specifications subject to change without prior notice.