

28003297

LC

Tridonic, LC 100W 24V IP67 L EXC UNV, Constant voltage excite series Outdoor application, Made In PRC, 5yrs Warranty



DATA SHEET

MARKETING INFORMATION

Brief Description	LC 100W 24V IP67 L EXC UNV Constant Voltage LED Driver IP67 Dry, damp and wet location.
-------------------	---

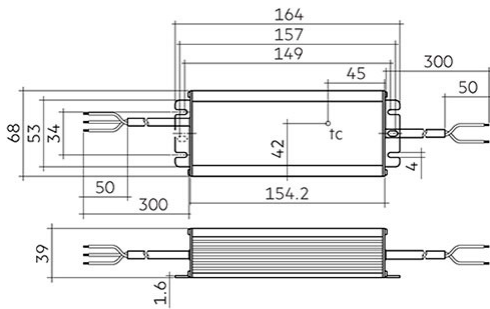
PHYSICAL CHARACTERISTICS

Colour Finish	Grey
---------------	------

MECHANICAL SPECIFICATION

Item Nett Weight (kg)	0.825kg
Length (mm)	164mm
Width (mm)	68mm
Height (mm)	39mm

LINE DRAWING



ENERGY SPECIFICATION

Energy Class	A++ to A
--------------	----------

ELECTRICAL & SAFETY SPECIFICATION

Protection Class	Class 2 - Double Insulated
Dimmable	No
IP Rating	IP67

QUALITY STANDARDS

Average Life (hrs)	50000hrs
Warranty (yrs)	5yrs

[Click to view the full product details](#)

OVERVIEW

Constant voltage IP67 LED Driver, Dry, damp and wet location, Higher protection against corrosion, Nominal life-time up to 50000 hrs. Compact size and easy installation.

Inspired Lighting Ltd. are continually developing and improving their products. Technical specifications subject to change without prior notice.