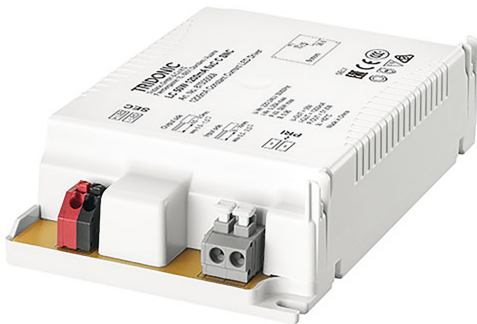


87500569

LC

Tridonic, LC 60W 700mA fixC C SNC, LED Converter Compact SNC - ESSENCE, Made In PRC, 5yrs Warranty



DATA SHEET

MARKETING INFORMATION

Brief Description	60W 700mA fixC C SNC ESSENCE Constant Current LED Driver
-------------------	--

PHYSICAL CHARACTERISTICS

Colour Finish	White
---------------	-------

MECHANICAL SPECIFICATION

Item Nett Weight (kg)	0.47kg
Length (mm)	123mm
Width (mm)	75mm
Height (mm)	29.7mm

ENERGY SPECIFICATION

Energy Class	A++ to A
--------------	----------

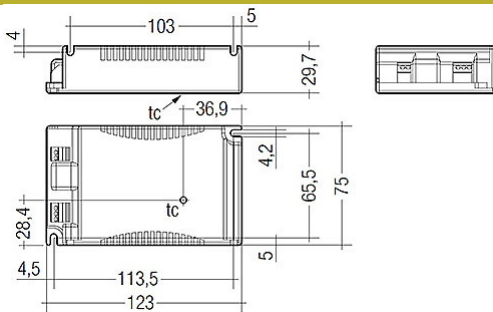
ELECTRICAL & SAFETY SPECIFICATION

Protection Class	Class 2 - Double Insulated
Dimmable	No
IP Rating	IP20

QUALITY STANDARDS

Average Life (hrs)	50000hrs
Warranty (yrs)	5yrs

LINE DRAWING



[Click to view the full product details](#)

OVERVIEW

Constant current Fixed output built-in LED Driver, KC certificate, For luminaires of protection class I and protection class II, Temperature protection as per EN 61347-2-13 C5e, Long life time.

Inspired Lighting Ltd. are continually developing and improving their products.
Technical specifications subject to change without prior notice.