

87500623

LC

Tridonic, LC 35W 700/800/1050mA flexC SR ADV, LED Converter Compact ADVANCE, Made In PRC, 5yrs Warranty



DATA SHEET

MARKETING INFORMATION

Brief Description 35W 700/800/1050mA flexC SR ADV Constant Current LED Driver

MECHANICAL SPECIFICATION

Item Nett Weight (kg)	0.173kg
Length (mm)	160mm
Width (mm)	82mm
Height (mm)	34mm

ENERGY SPECIFICATION

Energy Class A++ to A

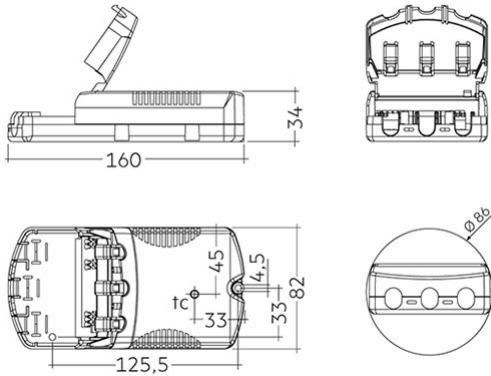
ELECTRICAL & SAFETY SPECIFICATION

Protection Class	Class 2 - Double Insulated
Dimmable	No
IP Rating	IP20

QUALITY STANDARDS

Average Life (hrs)	50000hrs
Warranty (yrs)	5yrs

LINE DRAWING



[Click to view the full product details](#)

OVERVIEW

Independent constant current LED Driver, Adjustable output current between 350 and 500 mA, High efficiency, For luminaires of protection class I and protection class II, For luminaires with M and MM as per EN 60598, VDE 0710 and VDE 0711, Temperature protection as per EN 61347-2-13 C5e. Long life.

Inspired Lighting Ltd. are continually developing and improving their products. Technical specifications subject to change without prior notice.