

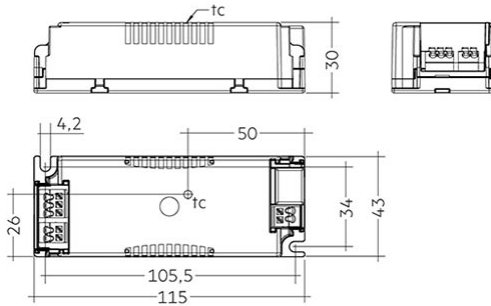
87500680

LC

Tridonic, LC 50W 900/950/1000/1050/1200mA flexC SC ADV, LED Converter Compact ADVANCE, Made In PRC, 5yrs Warranty



LINE DRAWING



[Click to view the full product details](#)

OVERVIEW

Constant current LED Driver, Adjustable output current between 900 and 1,200 mA, in 5 steps with ADV plug technology, For luminaires of protection class I and protection class II, Temperature protection as per EN 61347-2-13 C5e, Compact design.

DATA SHEET

MARKETING INFORMATION

Brief Description 50W 900-1400mA flexC SC ADV Constant Current LED Driver

PHYSICAL CHARACTERISTICS

Colour Finish White

MECHANICAL SPECIFICATION

Item Nett Weight (kg) 0.124kg
 Length (mm) 115mm
 Width (mm) 43mm
 Height (mm) 30mm

ENERGY SPECIFICATION

Energy Class A++ to A

ELECTRICAL & SAFETY SPECIFICATION

Protection Class Class 2 - Double Insulated
 Dimmable No
 IP Rating IP20

QUALITY STANDARDS

Average Life (hrs) 50000hrs
 Warranty (yrs) 5yrs

Inspired Lighting Ltd. are continually developing and improving their products. Technical specifications subject to change without prior notice.