

87500800

LC

Tridonic, LC 8/200/40 fixC SR SNC2, LED Converter Compact SNC2 - ESSENCE, Made In PRC, 5yrs Warranty



DATA SHEET

MARKETING INFORMATION

Brief Description	8W 200mA fixC SR SNC2 ESSENCE Constant Current LED Driver
-------------------	---

PHYSICAL CHARACTERISTICS

Colour Finish	White
---------------	-------

MECHANICAL SPECIFICATION

Item Nett Weight (kg)	0.052kg
Length (mm)	100mm
Width (mm)	43mm
Height (mm)	22.5mm

ENERGY SPECIFICATION

Energy Class	A++ to A
--------------	----------

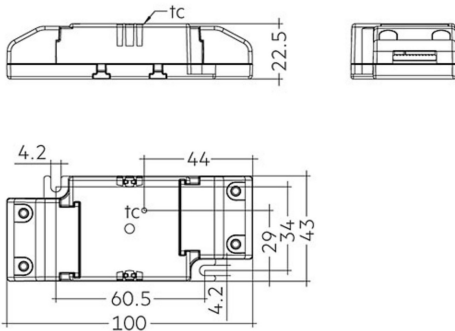
ELECTRICAL & SAFETY SPECIFICATION

Protection Class	Class 2 - Double Insulated
Dimmable	No
IP Rating	IP20

QUALITY STANDARDS

Average Life (hrs)	50000hrs
Warranty (yrs)	5yrs

LINE DRAWING



[Click to view the full product details](#)

OVERVIEW

Constant current Fixed output built-in LED Driver, For luminaires of protection class I and protection class II, Temperature protection as per EN 61347-2-13 C5e, High efficiency and long life.

Inspired Lighting Ltd. are continually developing and improving their products.
Technical specifications subject to change without prior notice.