

87500923

LC

Tridonic, LC 45W 450-1050mA 54V o4a NF SR EXC3, LED Converter Compact SNC - EXCITE, Made In PRC, 5yrs Warranty



DATA SHEET

MARKETING INFORMATION

Brief Description 45W 450-1050mA 54V o4a NF SR EXC3 EXCITE Constant Current LED Driver

PHYSICAL CHARACTERISTICS

Colour Finish White

MECHANICAL SPECIFICATION

Item Nett Weight (kg) 0.199kg
 Length (mm) 160mm
 Width (mm) 82mm
 Height (mm) 34mm

ENERGY SPECIFICATION

Energy Class A++ to A

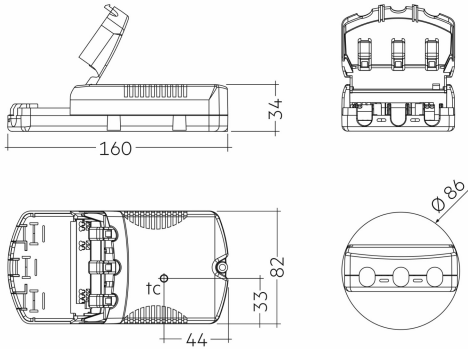
ELECTRICAL & SAFETY SPECIFICATION

Protection Class Class 2 - Double Insulated
 Dimmable No
 IP Rating IP20

QUALITY STANDARDS

Average Life (hrs) 50000hrs
 Warranty (yrs) 5yrs

LINE DRAWING



[Click to view the full product details](#)

OVERVIEW

Constant current Fixed output built-in LED Driver, For luminaires of protection class I and protection class II, Temperature protection as per EN 61347-2-13 C5e. Long life time.

Inspired Lighting Ltd. are continually developing and improving their products. Technical specifications subject to change without prior notice.