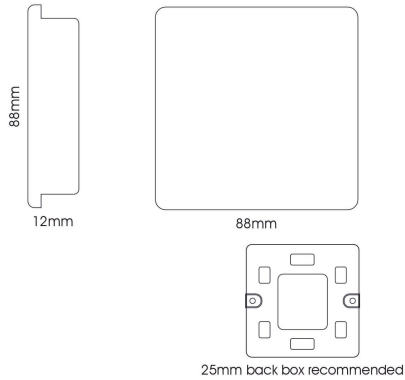


ART-BLKCF

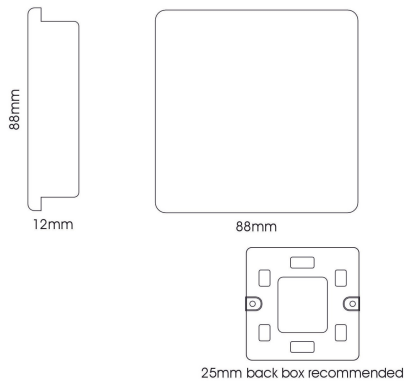
Blanking Plates

Carbon Fibre Screwless 1 Gang Blanking Plate, (25mm Back Box Req.), 10yrs Warranty

DATA SHEET



LINE DRAWING



MARKETING INFORMATION

Brief Description: 1 Gang Blanking Plate Carbon Fibre

PHYSICAL CHARACTERISTICS

Colour Finish: Carbon Fibre

MECHANICAL SPECIFICATION

Item Nett Weight (kg): 0.07kg
 Length (mm): 88mm
 Width (mm): 25mm
 Height (mm): 88mm

ELECTRICAL & SAFETY SPECIFICATION

Protection Class: N/A
 IP Rating: IP20

QUALITY STANDARDS

Warranty (yrs): 10yrs

ADDITIONAL INFORMATION

Product Suitable For: Indoor use only

[Click to view the full product details](#)

OVERVIEW

Trendiswitch is a complete range of completely unique light switches and sockets, available in a vast range of colours to cater for any colour scheme and decor. Design led for an elegant, seamless, retro re-fit, you can trust Trendiswitch throughout your project. Manufactured and designed in the UK giving you full confidence in the innovative engineering that puts this range of products in a league of their own.

Inspired Lighting Ltd. are continually developing and improving their products. Technical specifications subject to change without prior notice.