

C20133

Crystal Pendalogue

Crystal Star Pendalogue Amber 38mm, No Ring Or Pin Included



DATA SHEET

MARKETING INFORMATION

Brief Description Crystal Star Pendalogue Without Ring 38mm

PHYSICAL CHARACTERISTICS

Colour Finish Amber

MECHANICAL SPECIFICATION

Item Nett Weight (kg) 0.01kg
 Length (mm) 22mm
 Width (mm) 15mm
 Height (mm) 38mm

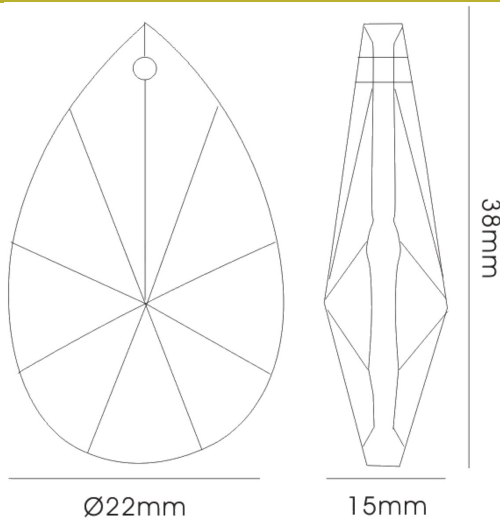
CRYSTAL SPECIFICATION

Type of Crystal Diyasa Select
 Crystal Colour Finish Amber

QUALITY STANDARDS

Warranty (yrs) 1yr

LINE DRAWING



[Click to view the full product details](#)

OVERVIEW

A fantastic range of high quality Crystal components with a large selection of colour finishes. Ideal for customers wishing to enhance their crystal chandelier or simply looking for replacement parts.

Inspired Lighting Ltd. are continually developing and improving their products. Technical specifications subject to change without prior notice.