

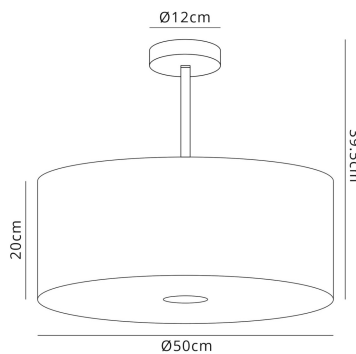
DK0386

Baymont AB AG

Baymont Antique Brass 3 Light E27 Semi Flush With 50cm x 20cm Dual Faux Silk Shade, Antique Gold/Ruby & Frosted/AB Acrylic Diffuser



LINE DRAWING



[Click to view the full product details](#)

DATA SHEET

MARKETING INFORMATION

Brief Description	Baymont 50cm Semi Flush 3 Light Antique Brass, Antique Gold/Ruby, Frosted Diffuser
-------------------	--

PHYSICAL CHARACTERISTICS

Colour Finish	Antique Brass
Colour Finish 2	Antique Gold

MECHANICAL SPECIFICATION

Item Nett Weight (kg)	1.8kg
Diameter (mm)	500mm
Height (mm)	375mm
Body Height (mm)	170mm

ENERGY SPECIFICATION

Energy Class	A++ to D
--------------	----------

LAMP SPECIFICATION

No: of Lamp	3
Lamp Socket	E27
Recommended Lamp	LED (GLS A60)
Max Wattage Lamp (W)	60W
Lamp Included	No

ELECTRICAL & SAFETY SPECIFICATION

Protection Class	Class 1 - Earth Connection Required
Dimmable	Yes - Suitable Lamps & Dimmer Required
Dimmer Included	No
IP Rating	IP20

SHADE SPECIFICATION

Frame Hole Size (mm)	27/42mm
----------------------	---------

QUALITY STANDARDS

Warranty (yrs)	1yr
----------------	-----

PRODUCT COMPONENT SPECIFICATION

Shade Colour	Antique Gold/Ruby
--------------	-------------------

Inspired Lighting Ltd. are continually developing and improving their products. Technical specifications subject to change without prior notice.

OVERVIEW

This wide range of lighting fixtures, use standard E27 Lamps, which are universal in enabling the consumer to enhance the fixture with a vast selection of shades to suit their décor and taste, allowing them to feature their own personal design creativity. The four contrasting colour finishes available are satin black, satin nickel, antique brass and polished chrome. Each finish is featured on four different lights, a single adjustable pendant, single semi flush fixture, 3 light linear adjustable pendant and 3 light Semi Flush fixture.

Inspired Lighting Ltd. are continually developing and improving their products.
Technical specifications subject to change without prior notice.
