

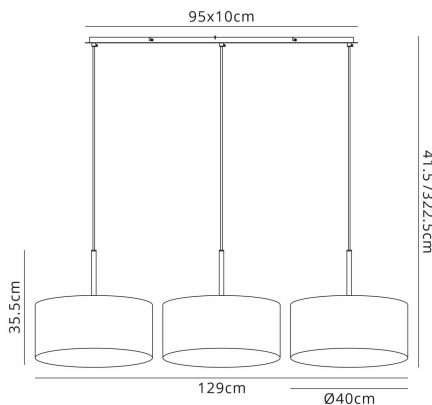
# DK0838

# Baymont AB GL

Baymont Antique Brass 3 Light E27 Linear Pendant With 40cm x 18cm Gold Leaf Shade 2m



## LINE DRAWING



## DATA SHEET

### MARKETING INFORMATION

Brief Description	Baymont 40cm Shade 3 Light Pendant Antique Brass, Gold Leaf
-------------------	---

### PHYSICAL CHARACTERISTICS

Colour Finish	Antique Brass
Colour Finish 2	Gold Foil

### MECHANICAL SPECIFICATION

Item Nett Weight (kg)	4.1kg
Length (mm)	1290mm
Width (mm)	400mm
Minimum Drop (mm)	415mm
Maximum Drop (mm)	2225mm

### ENERGY SPECIFICATION

Energy Class	A++ to D
--------------	----------

### LAMP SPECIFICATION

No: of Lamp	3
Lamp Socket	E27
Recommended Lamp	LED (GLS A60)
Max Wattage Lamp (W)	20W
Lamp Included	No

### ADDITIONAL INFORMATION

Delivery Requirements	Item Has a LARGE CARTON (PF 24 OK) With Dimensions of: 101x16x16.5cm.
-----------------------	---

### ELECTRICAL & SAFETY SPECIFICATION

Protection Class	Class 1 - Earth Connection Required
Dimmable	Yes - Suitable Lamps & Dimmer Required
Dimmer Included	No
IP Rating	IP20

### QUALITY STANDARDS

Warranty (yrs)	1yr
----------------	-----

### PRODUCT COMPONENT SPECIFICATION

[Click to view the full product details](#)

Inspired Lighting Ltd. are continually developing and improving their products.  
Technical specifications subject to change without prior notice.

DK0838

Baymont AB GL

Shade Colour

Gold Leaf/White Laminate

## OVERVIEW

This wide range of lighting fixtures, use standard E27 Lamps, which are universal in enabling the consumer to enhance the fixture with a vast selection of shades to suit their décor and taste, allowing them to feature their own personal design creativity. The four contrasting colour finishes available are satin black, satin nickel, antique brass and polished chrome. Each finish is featured on four different lights, a single adjustable pendant, single semi flush fixture, 3 light linear adjustable pendant and 3 light semi ceiling fixture.

Inspired Lighting Ltd. are continually developing and improving their products.  
Technical specifications subject to change without prior notice.