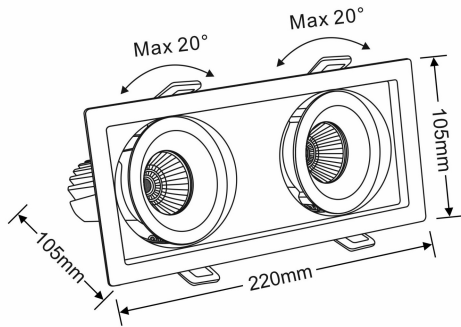


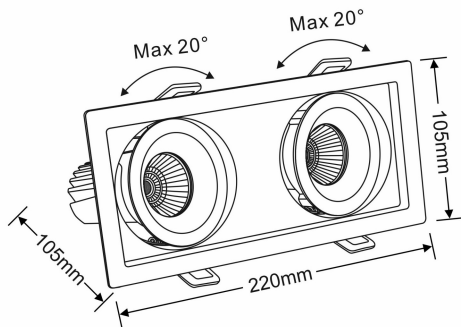
DM202007

Bezz 12-2

Bezz 12-2 Powered by Tridonic 2x12W 2x1200lm 4000K 24° LED Engine,350mA , Matt White Adj. Deep Recess spot light IP20, DRIVER NOT INC. 5yrs Warranty



LINE DRAWING



[Click to view the full product details](#)

DATA SHEET

MARKETING INFORMATION

Brief Description

Bezz 12-2 Powered by Tridonic 2x12W 2x1200lm 4000K 24° LED Engine,350mA , Matt White Adj. Deep Recess spot light, IP20.

PHYSICAL CHARACTERISTICS

Colour Finish Matt White

MECHANICAL SPECIFICATION

Length (mm)	220mm
Width (mm)	105mm
Diameter (mm)	220x105mm
Height (mm)	105mm
Cut Out (mm)	206x87mm

ENERGY SPECIFICATION

Energy Class A++

LAMP SPECIFICATION

Lamp Socket	Integral LED
Recommended Lamp	Integral LED
Max Wattage Lamp (W)	2 x 12W
Lamp Included	Yes - Integrated
Type of Lamp Included	Integrated LED
Colour Temperature (K)	4000K Cool White (±5%) (±5%)

LED SPECIFICATION

LED Voltage (V) 2 x (32.4-37.6V) (±5%) (±5%)

OPTICAL SPECIFICATION

Beam Angle (°)	24°
System Flux (lm)	2x1200lm (±5%) (±5%)
CRI	>90
UGR	<=19

DRIVER SPECIFICATION

Driver Included	No
Type of Driver Required	Constant Current

Inspired Lighting Ltd. are continually developing and improving their products.
Technical specifications subject to change without prior notice.

ELECTRICAL & SAFETY SPECIFICATION

Protection Class	Class 3 - Low Voltage
Dimmable	Yes - Suitable Driver Required
Dimmer Included	No
IP Rating	IP20

QUALITY STANDARDS

Average Life (hrs)	50000hrs
Warranty (yrs)	5yrs

OVERVIEW

Bezz offers a Single ,double or triple recessed luminaire with an angular recessed designed spotlight mounted on a slightly recessed flat plate, supported by adjustable reflector LED light engines. These multi-head fixtures give optimum lighting solutions from a single location whilst the aluminium structure ensures consistent reliability and performance.