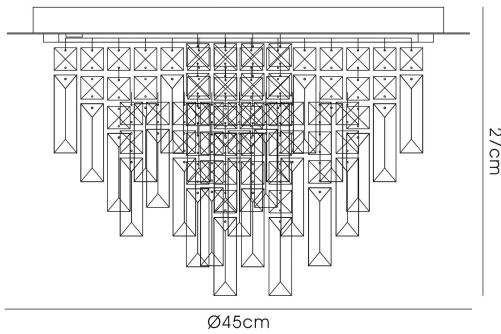


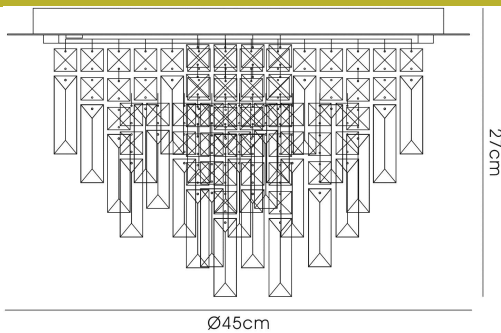
IL30251

Maddison Polished Chrome

Maddison 45cm Ceiling Round 6 Light G9 Polished Chrome/Crystal



LINE DRAWING



[Click to view the full product details](#)

DATA SHEET

MARKETING INFORMATION

|                   |  |
|-------------------|--|
| Brief Description | Maddison Crystal Ceiling Flush 6 Light |
|-------------------|--|

PHYSICAL CHARACTERISTICS

|               |                 |
|---------------|-----------------|
| Colour Finish | Polished Chrome |
|---------------|-----------------|

MECHANICAL SPECIFICATION

|                       |       |
|-----------------------|-------|
| Item Nett Weight (kg) | 6.7kg |
| Diameter (mm)         | 450mm |
| Height (mm)           | 260mm |

ENERGY SPECIFICATION

|              |          |
|--------------|----------|
| Energy Class | A++ to D |
|--------------|----------|

CRYSTAL SPECIFICATION

|                       |              |
|-----------------------|--------------|
| Type of Crystal       | Diyas Select |
| Crystal Colour Finish | Clear        |

LAMP SPECIFICATION

|                      |                  |
|----------------------|------------------|
| No: of Lamp          | 6                |
| Lamp Socket          | G9               |
| Recommended Lamp     | LED (Capsule G9) |
| Max Wattage Lamp (W) | 33W              |
| Lamp Included        | No               |

ELECTRICAL & SAFETY SPECIFICATION

|                  |                                     |
|------------------|-------------------------------------|
| Protection Class | Class 1 - Earth Connection Required |
| Dimmable         | Yes - Dimmable Lamps Required       |
| Dimmer Included  | No                                  |
| IP Rating        | IP20                                |

QUALITY STANDARDS

|                |     |
|----------------|-----|
| Warranty (yrs) | 1yr |
|----------------|-----|

OVERVIEW

A thorough collection of fully loaded lighting fixtures utilizing square and rectangular crystals. Carefully calculated strands of crystal are hung in a systematic manner to deliver an

Inspired Lighting Ltd. are continually developing and improving their products. Technical specifications subject to change without prior notice.

IL30251

Maddison Polished Chrome

outstanding effect. The framework has been kept to the bare minimum to create this spectacular range with outstanding results. This also makes the range universal because of its neutral appearance now available in three colour finishes.

Inspired Lighting Ltd. are continually developing and improving their products.  
Technical specifications subject to change without prior notice.