

M6607

Infinity II

Infinity II 73cm Ceiling, 60W LED, 3000K, 4500lm, IP20, Chrome, 3yrs Warranty



LINE DRAWING

DATA SHEET

MARKETING INFORMATION

Brief Description Infinity II Ceiling 60W LED

PHYSICAL CHARACTERISTICS

Colour Finish Polished Chrome

Colour Finish 2 Opal White

Ceiling Mountable Yes

MECHANICAL SPECIFICATION

Item Nett Weight (kg) 3.2kg

Diameter (mm) 730mm

Minimum Drop (mm) 500mm

Maximum Drop (mm) 1500mm

Body Height (mm) 120mm

ENERGY SPECIFICATION

Energy Class G

LAMP SPECIFICATION

No: of Lamp 1

Lamp Socket Integral LED

Recommended Lamp Integral LED

Max Wattage Lamp (W) 60W

Lamp Included Yes - Integrated

Type of Lamp Included Integrated LED

Colour Temperature (K) 3000K Warm White (±5%) (±5%)

ADDITIONAL INFORMATION

Delivery Requirements Item Has a LARGE CARTON (PF 24 OK) With Dimensions of: 74x74x14.5cm.

OPTICAL SPECIFICATION

Beam Angle (°) 120°

System Flux (lm) 4500lm (±5%) (±5%)

CRI >80

DRIVER SPECIFICATION

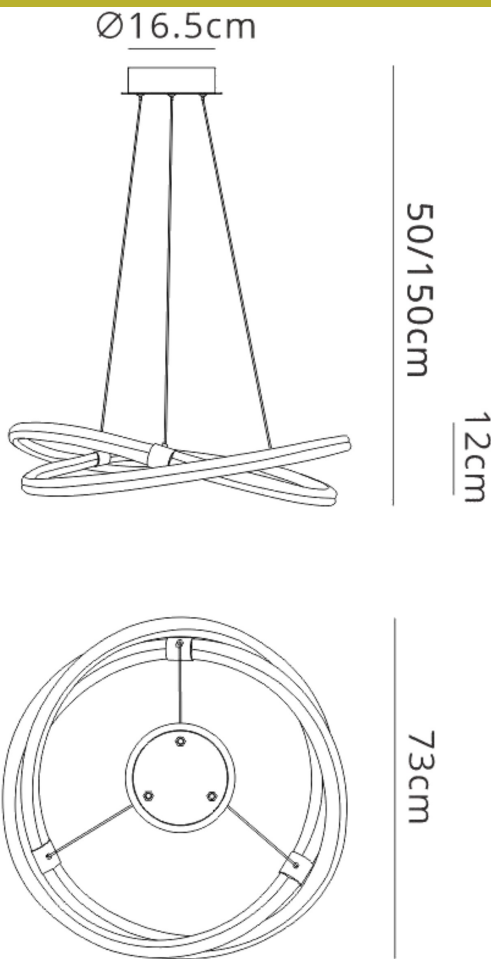
Driver Included Yes

ELECTRICAL & SAFETY SPECIFICATION

Inspired Lighting Ltd. are continually developing and improving their products.
Technical specifications subject to change without prior notice.

M6607

Infinity II



Protection Class	Class 1 - Earth Connection Required
Dimmable	No
IP Rating	IP20

QUALITY STANDARDS

Average Life (hrs)	30000hrs
Warranty (yrs)	3yrs

[Click to view the full product details](#)

OVERVIEW

Mantra have always prided themselves in being at the forefront of inventive and innovative design, this second generation of the Infinity collection is no exception. The first of its kind in the lighting industry, Infinity II offers an astounding 360 degree illumination giving a completely ambient array of light dispersion. The clover shaped moulding of the acrylic tubes dispels the 3000K LEDs evenly for optimum lighting output.

Inspired Lighting Ltd. are continually developing and improving their products. Technical specifications subject to change without prior notice.