

SE-12-100-400-G1T

Triac Constant Current

Triac/ELV, PWM,0.9-12W , C. Current Dimmable Driver, 100/150/200/250/300/350/400mA, DC:9-42Vdc, EFF>78%, 5yrs Warranty



DATA SHEET

MARKETING INFORMATION

Brief Description

Triac/ELV Push Dim PWM 12W
Constant Current Dimmable
Driver 9-42V 100-400mA, IP20.

ELECTRICAL & SAFETY SPECIFICATION

Dimmable	Yes - Suitable Dimmer Required
Dimmer Included	No
IP Rating	IP20

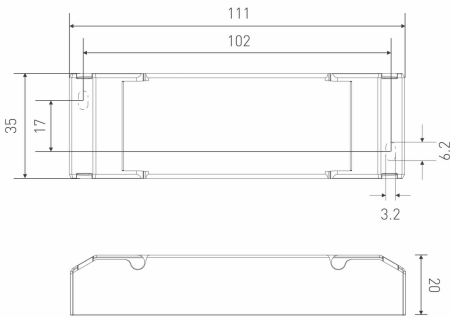
SENSOR SPECIFICATION

Working Humidity (%RH)	20~95%RH
------------------------	----------

QUALITY STANDARDS

Average Life (hrs)	50000hrs
Warranty (yrs)	5yrs

LINE DRAWING



[Click to view the full product details](#)

OVERVIEW

Constant Current Leading edge / Trailing edge Triac, Push dimming, T-PWM digital dimming, Class 2 power supply. Full protective plastic housing, Short circuit, Over-heat and Over load protections. Compliant with Safety Extra Low Voltage standard, Wide Dimming Range, Linear Dimming Curve, Intelligent power life protection.

Inspired Lighting Ltd. are continually developing and improving their products.
Technical specifications subject to change without prior notice.