

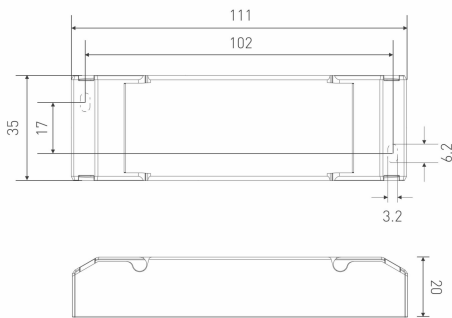
## SE-9-350-700-G1T

## Triac Constant Current

Triac/ELV, PWM, 0.7-8.5W, C. Current Dimmable Driver, 350/400/450/500/550/600/650/700mA, DC:2-12Vdc, EFF>70%, 5yrs Warranty



### LINE DRAWING



[Click to view the full product details](#)

### OVERVIEW

Constant Current Leading edge / Trailing edge Triac, Push dimming, T-PWM digital dimming, Class 2 power supply. Full protective plastic housing, Short circuit, Over-heat and Over load protections. Compliant with Safety Extra Low Voltage standard, Wide Dimming Range, Linear Dimming Curve, Intelligent power life protection.

### DATA SHEET

#### MARKETING INFORMATION

**Brief Description** Triac/ELV Push Dim PWM 9W Constant Current Dimmable Driver 2-12V 350-700mA, IP20.

#### PHYSICAL CHARACTERISTICS

**Colour Finish** White

#### MECHANICAL SPECIFICATION

**Item Nett Weight (kg)** 0.77kg  
**Length (mm)** 111mm  
**Width (mm)** 35mm  
**Height (mm)** 20mm

#### ELECTRICAL & SAFETY SPECIFICATION

**Dimmable** Yes - Suitable Dimmer Required  
**Dimmer Included** No  
**IP Rating** IP20

#### SENSOR SPECIFICATION

**Working Humidity (%RH)** 20~95%RH

#### QUALITY STANDARDS

**Average Life (hrs)** 50000hrs  
**Warranty (yrs)** 5yrs

Inspired Lighting Ltd. are continually developing and improving their products.  
 Technical specifications subject to change without prior notice.