

SNP320-24VL-1

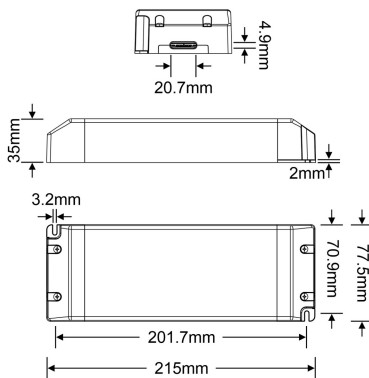
SNP

SNP, 320W, Constant Voltage Non Dimmable PC LED Driver, 24VDC, IP20, Screw Connection, 5yrs Warranty.

DATA SHEET



LINE DRAWING



MARKETING INFORMATION

Brief Description SNP, 320W Constant Voltage Non-Dimmable LED Driver 24VDC 21.7A IP20.

PHYSICAL CHARACTERISTICS

Colour Finish White

MECHANICAL SPECIFICATION

Item Nett Weight (kg) 0.800kg
Length (mm) 215mm
Width (mm) 77.5mm
Height (mm) 35mm

ELECTRICAL & SAFETY SPECIFICATION

Protection Class Class 2 - Double Insulated
Dimmable No
IP Rating IP20

QUALITY STANDARDS

Average Life (hrs) 50000hrs
Warranty (yrs) 5yrs

[Click to view the full product details](#)

OVERVIEW

Class II power supply, Short circuit, Overload, Over Voltage and Over temperature protection. Compliance to ERP directive, High performance, Wide operating temperature.

Inspired Lighting Ltd. are continually developing and improving their products. Technical specifications subject to change without prior notice.